

Серия LX



LZ Series Metallic Tube Variable-area Flowmeter

LZZX Series Micro flowrate metal tube rotameter

Description

Used for the measurement of micro flowrate of liquids and gases. All-metal structure, With the characteristics of small volume, low pressure loss, etc. Widely used in various industries which is complex and harsh environment. Measure and process control for micro flowrate, low flow rates, various harsh media conditions. Especially suitable for measuring turbid, opaque or corrosive fluids.



Bottom-rear in and Top-rear out



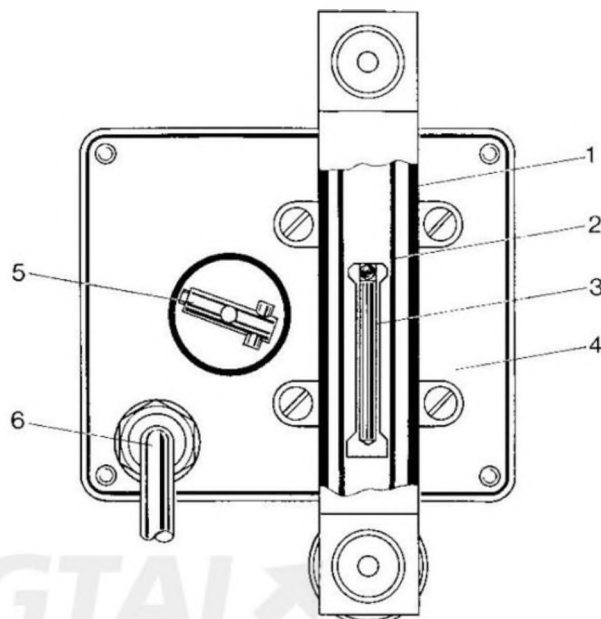
Bottom in and Top out

Structure and principle

Used for the measurement of micro flowrate of liquids and gases. All-metal structure, With the characteristics of small volume, low pressure loss, etc. Widely used in various industries which is complex and harsh environment. Measure and process control for micro flowrate, low flow rates, various harsh media conditions. Especially suitable for measuring turbid, opaque or corrosive fluids.

Composition:

1. body
2. measuring tube
3. floater
4. header
5. Magnetic coupling system
6. Electrical cable



KINGTAL

The main technical parameters

- Measuring range: water (20°C) 1–3000l/h
air (0.1013MPa 20°C) 0.5–90000l/h
- Range ratio: 10:1
- Accuracy class: 2.5 / 4.0
- Work pressure: PN16MPa
- Medium temperature: Standard type –40°C~ +120°C
- Ambient temperature: –40°C~ +80°C
- Medium viscosity: 1/4"NPT, 3/8"NPT ,
1/2"NPT ≤5mPa.s
3/4"NPT, 1"NPT ≤250mPa.s
- Output: Tagging signal: two–wire system
4–20mA (24 VDC power supply)
- power supply: 24VDC ± 20%
- Connection method:
Bottom– rear in and Top–rear out: 1/4"NPT (F)thread
Bottom in and Top out: 1/4"NPT 3/8"NPT 1/2"NPT
3/4"NPT 1"NPT (F)thread
- Electrical Interface: M8*1 or User specifications
- Protection class: IP65
- Explosion–proof marks:
Intrinsically safe type: ExiallCT 3–6

Selection table

LZZX	Structure form	
	H	Bottom– rear in and Top–rear out
	V	Bottom in and Top out
	Measuring tube's material which contact liquid	
	R0	316L Stainless steel
	R1	304 Stainless steel
	R2	HC–276 alloy
	R3	Titanium alloy
	Backstop and o-rings Material	
	A	PTFE/Buna
	B	PVDF/ Viton
	C	PVDF/ Buna
	D	PTFE/ Kalrez
Indicator		
Default	The pointer display instantaneous flow rate Remote 4–20mA Two–wire current signal, intrinsically safe explosion–proof. Explosion–proof marks: ExiallCT 3–6	
D	High alarm limit (24VDC Three–wire output)	
K1	Lower alarm limit (24VDC Three–wire output)	
K2	High and lower alarm limit (24VDC Three–wire output)	
K12	High alarm limit (8.2VDC Two–wire output namur)	
EK1	Lower alarm limit (8.2VDC Two–wire output namur)	
EK2	High and lower alarm limit (8.2VDC Two–wire output namur)	
Ek12		
Connection method		
1	NPT1/4"	
2	NPT3/8"	
3	NPT1/2"	
4	NPT3/4"	
5	NPT1"	

По вопросам продаж и поддержки обращайтесь:

Архангельск (8182)63-90-72	Казань (843)206-01-48	Новокузнецк (3843)20-46-81	Смоленск (4812)29-41-54
Астана +7(7172)727-132	Калининград (4012)72-03-81	Новосибирск (383)227-86-73	Сочи (862)225-72-31
Астрахань (8512)99-46-04	Калуга (4842)92-23-67	Омск (3812)21-46-40	Ставрополь (8652)20-65-13
Барнаул (3852)73-04-60	Кемерово (3842)65-04-62	Орел (4862)44-53-42	Сургут (3462)77-98-35
Белгород (4722)40-23-64	Киров (8332)68-02-04	Оренбург (3532)37-68-04	Тверь (4822)63-31-35
Брянск (4832)59-03-52	Краснодар (861)203-40-90	Пенза (8412)22-31-16	Томск (3822)98-41-53
Владивосток (423)249-28-31	Красноярск (391)204-63-61	Пермь (342)205-81-47	Тула (4872)74-02-29
Волгоград (844)278-03-48	Курск (4712)77-13-04	Ростов-на-Дону (863)308-18-15	Тюмень (3452)66-21-18
Вологда (8172)26-41-59	Липецк (4742)52-20-81	Рязань (4912)46-61-64	Ульяновск (8422)24-23-59
Воронеж (473)204-51-73	Магнитогорск (3519)55-03-13	Самара (846)206-03-16	Уфа (347)229-48-12
Екатеринбург (343)384-55-89	Москва (495)268-04-70	Санкт-Петербург (812)309-46-40	Хабаровск (4212)92-98-04
Иваново (4932)77-34-06	Мурманск (8152)59-64-93	Саратов (845)249-38-78	Челябинск (351)202-03-61
Ижевск (3412)26-03-58	Набережные Челны (8552)20-53-41	Севастополь (8692)22-31-93	Череповец (8202)49-02-64
Иркутск (395) 279-98-46	Нижегород (831)429-08-12	Симферополь (3652)67-13-56	Ярославль (4852)69-52-93
Киргизия (996)312-96-26-47	Казахстан (772)734-952-31	Таджикистан (992)427-82-92-69	